

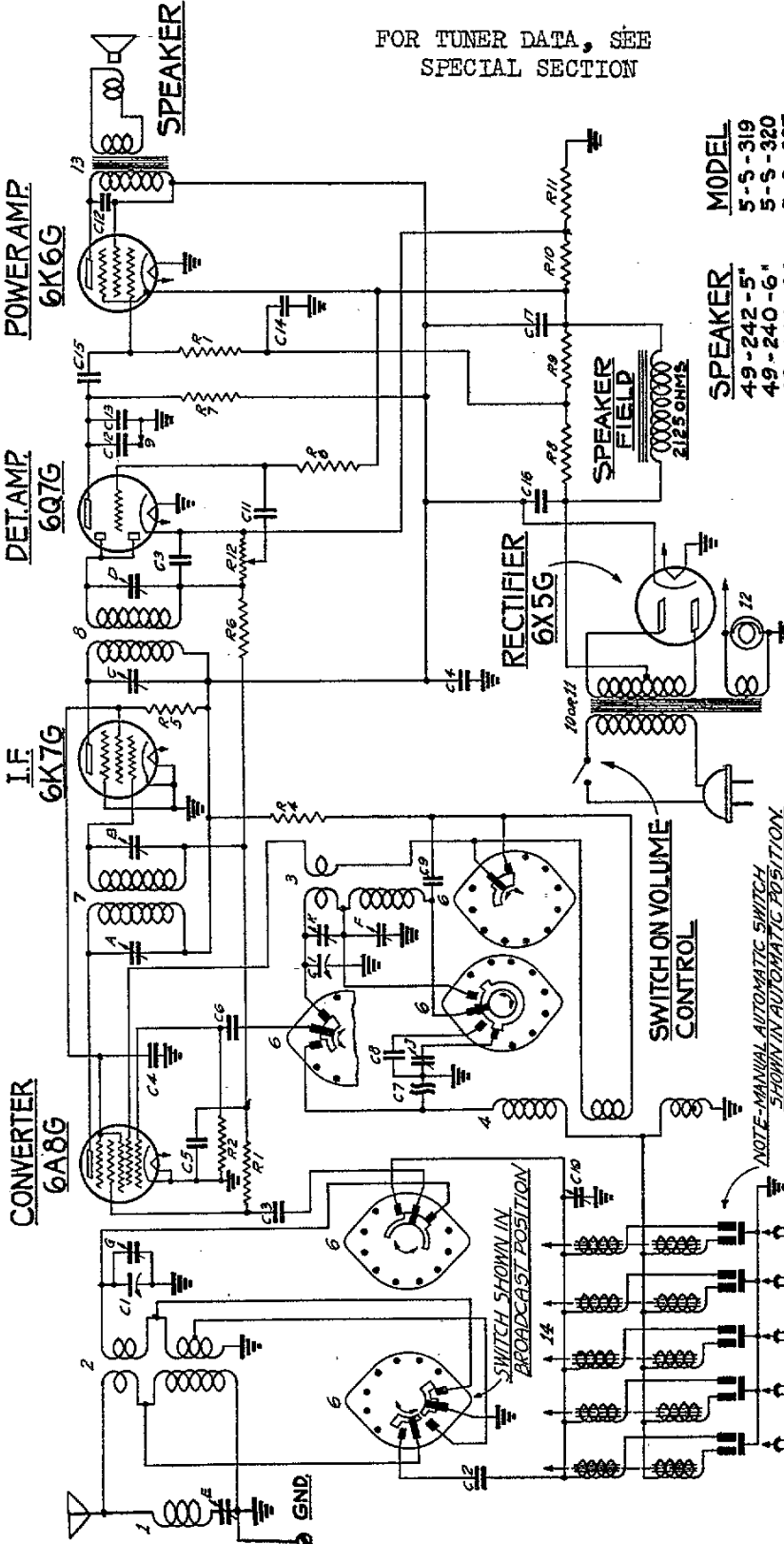
ZENITH RADIO CORP.

MODELS 58319, 58330, 58327
58338, 58339

Chassis 5529

Schematic, Parts

FOR TUNER DATA, SEE
SPECIAL SECTION



- MODEL**
- 5-S-319
 - 5-S-320
 - 5-S-327
 - 5-S-335
 - 5-S-339
- SPEAKER**
- 49-242-5"
 - 49-240-6"
 - 49-244-6"
 - 49-240-6"
 - 49-240-6"

NOTE:
TRANSFORMERS "E.M.M."
LAWRENCE & HUNTER
ST. LOUIS, MO.
STRIP # 22-602

I.F. FREQUENCY 455 K.C.
5 TUBE SUPERHETERODYNE
CHASSIS NO. 5529 A.C. 2 BAND
ZENITH RADIO CORPORATION
CHICAGO, ILLINOIS

PART NO.	PART NO.	DESCRIPTION	QTY	DESCRIPTION	QTY	DESCRIPTION
C-1	50 MMFD	50 MMFD	1	50 MMFD	1	50 MMFD
C-2	50 MMFD	50 MMFD	1	50 MMFD	1	50 MMFD
C-3	50 MMFD	50 MMFD	1	50 MMFD	1	50 MMFD
C-4	50 MMFD	50 MMFD	1	50 MMFD	1	50 MMFD
C-5	50 MMFD	50 MMFD	1	50 MMFD	1	50 MMFD
C-6	50 MMFD	50 MMFD	1	50 MMFD	1	50 MMFD
C-7	50 MMFD	50 MMFD	1	50 MMFD	1	50 MMFD
C-8	50 MMFD	50 MMFD	1	50 MMFD	1	50 MMFD
C-9	50 MMFD	50 MMFD	1	50 MMFD	1	50 MMFD
C-10	50 MMFD	50 MMFD	1	50 MMFD	1	50 MMFD
C-11	50 MMFD	50 MMFD	1	50 MMFD	1	50 MMFD
C-12	50 MMFD	50 MMFD	1	50 MMFD	1	50 MMFD
C-13	50 MMFD	50 MMFD	1	50 MMFD	1	50 MMFD
C-14	50 MMFD	50 MMFD	1	50 MMFD	1	50 MMFD
C-15	50 MMFD	50 MMFD	1	50 MMFD	1	50 MMFD
C-16	50 MMFD	50 MMFD	1	50 MMFD	1	50 MMFD
C-17	50 MMFD	50 MMFD	1	50 MMFD	1	50 MMFD

MODELS 5S319, 5S330, 5S327
5S338, 5S339
Chassis 5529

ZENITH RADIO CORP.

Socket, Trimmers, Voltage Alignment

NOTE

Voltages measured from chassis to socket contacts using a 1000 ohm per volt meter. Antenna disconnected — volume control on full.

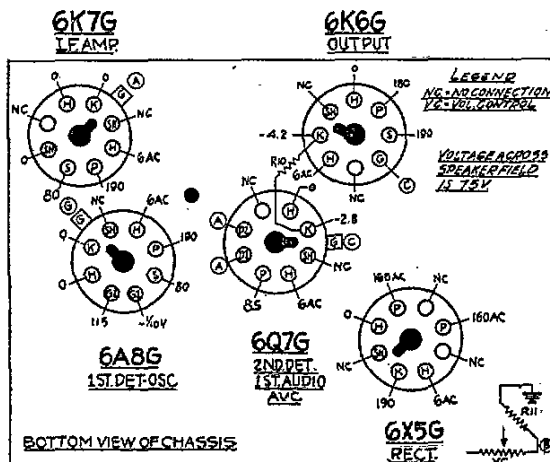
Line voltage 115 v. Consumption 45 watts.

Power output 3 watts.

(A) Bias for 6A8 — 6K7 and diodes measured across R11.

(B) Low side of volume control.

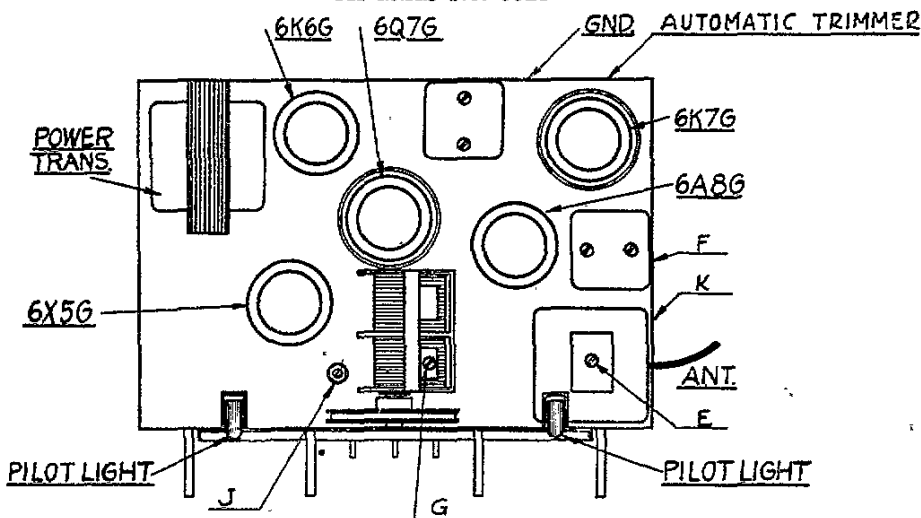
(C) Bias for triode section of 6Q7 and 6K6 measured across R10 and R11.



Models 5S319, 5S327, 5S330, 5S338, 57339

CHASSIS No. 5529

- LEGEND
- NC — No Connection
 - SH — Shield
 - H — Heater
 - P — Plate
 - S — Screen
 - G — Grid
 - SU — Suppressor
 - D — Diode
 - K — Cathode
 - F — Filament



Location of Tubes and Trimmers

ALIGNMENT PROCEDURE

Operation	Connect Test Oscillator to	Dummy Antenna	Set Test Osc. to	Band	Set Dial At	Adjust Trimmers	Purpose
1	1st Det. Grid	1/2 Mfd.	455	Br'dc't	600	ABCD	I. F. Alignment
2	Rec. Ant. Lead	200 Mmfd.	455	"	600	E	See Note
3	" " "	200 Mmfd.	1500	"	1500	F	Set Osc. to Scale
4	" " "	200 Mmfd.	1500	"	1500	G	Al'gment of Ant.
5	" " "	200 Mmfd.	600	"	600	J	Rock gang & adj. for max. output
6	" " "	200 Mmfd.		"		FG	Repeat 3 & 4
7	" " "	400 Ohms	18000	S.W.	18000	K	Rock gang & adj. for max. output

NOTE: If receiver is used in location subject to code interference adjust wave trap (E) for minimum interference with antenna connected and receiver operating in broadcast band.