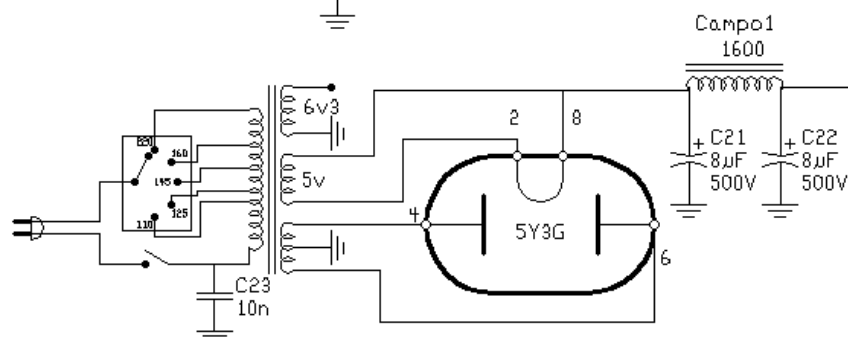


TENSIONI.RILEVATE SULLE VALVOLE

	6A8	TERRA 6B8	6V6	5Y3
1				
2	F/6ca	F	F	F/5ca
3	A/206	A/110	A/172	
4	G3/29	Ad1/1	G2/205	260ca
5	G1/-16	Ad2/-6	G1/6	
6	G2/143	G2/29		260ca
7	F	F	F	
8	K/0,5	K/1,6	K/11	F/309cc
CLIP	G4	G1		



**SAVIGLIANO  
Mod.96**  
"Ovetto"

Gamma 515÷1580kc  
MF 460Khz  
pot.2w5  
sens.25mV