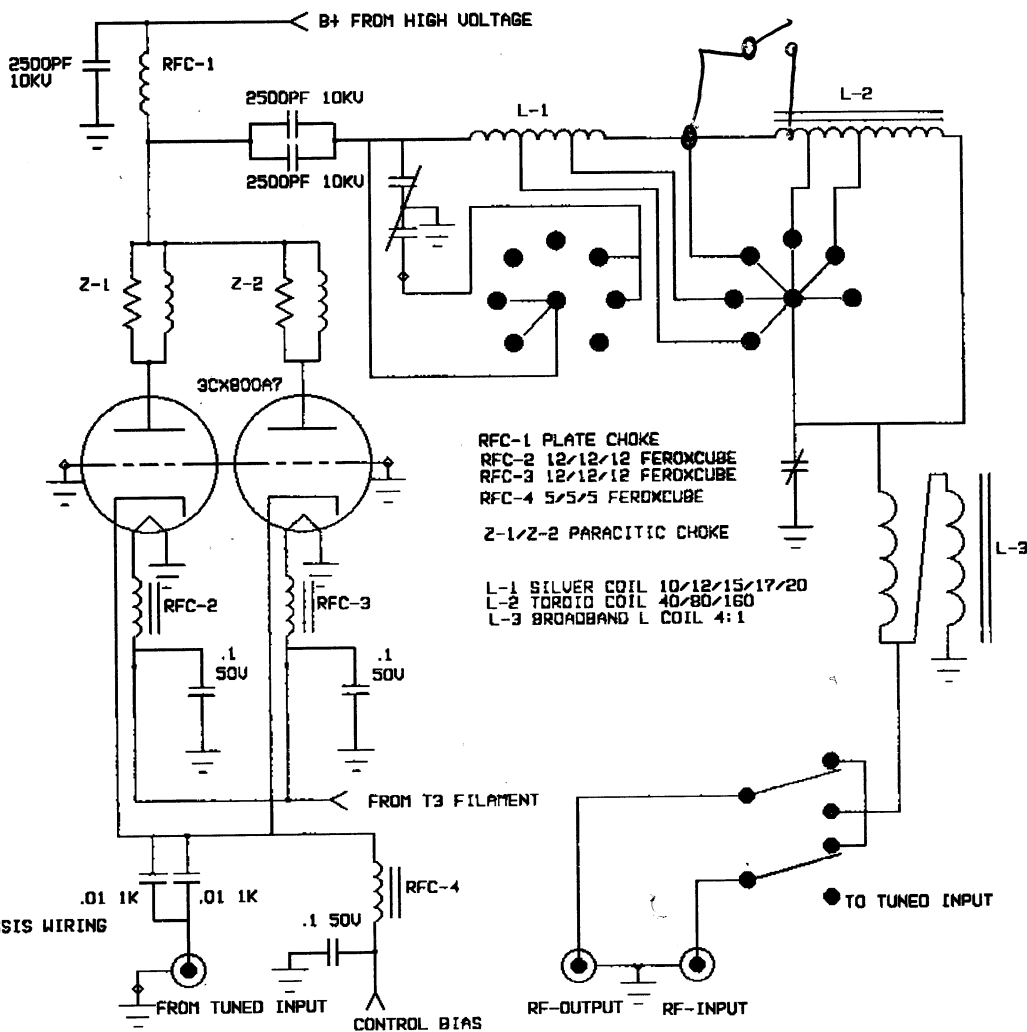
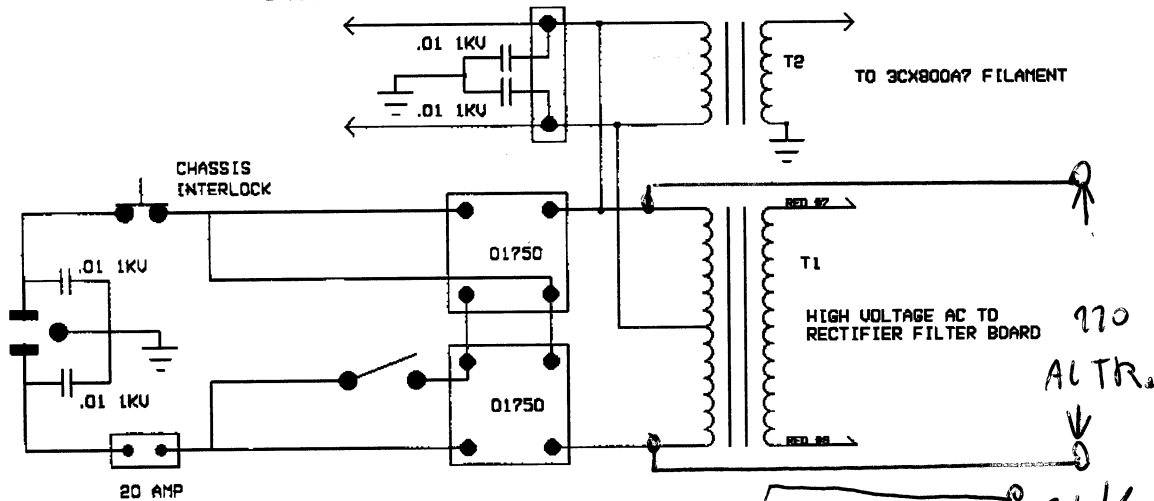


DWG-3

117VAC TO BLOWER  
& T1 PRIMARY

T-BLOCK 1



- RFC-1 PLATE CHOKE
- RFC-2 12/12/12 FERROXCUBE
- RFC-3 12/12/12 FERROXCUBE
- RFC-4 5/5/5 FERROXCUBE
- Z-1/Z-2 PARACITIC CHOKES

- L-1 SILVER COIL 10/12/15/17/20
- L-2 TOROID COIL 40/80/160
- L-3 BROADBAND L COIL 4:1

MAIN CHASSIS WIRING

FROM TUNED INPUT

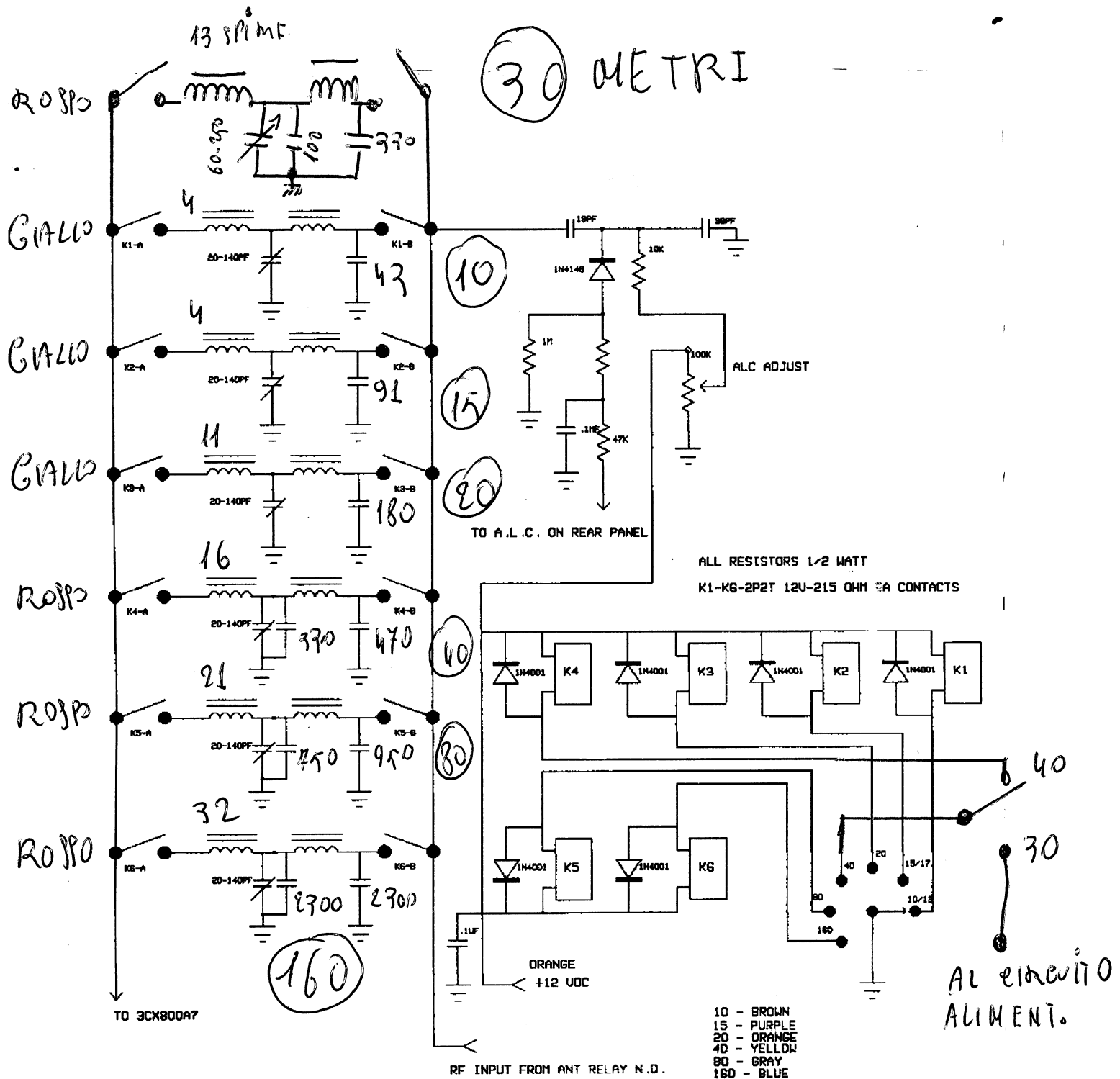
CONTROL BIAS

RF-OUTPUT

RF-INPUT

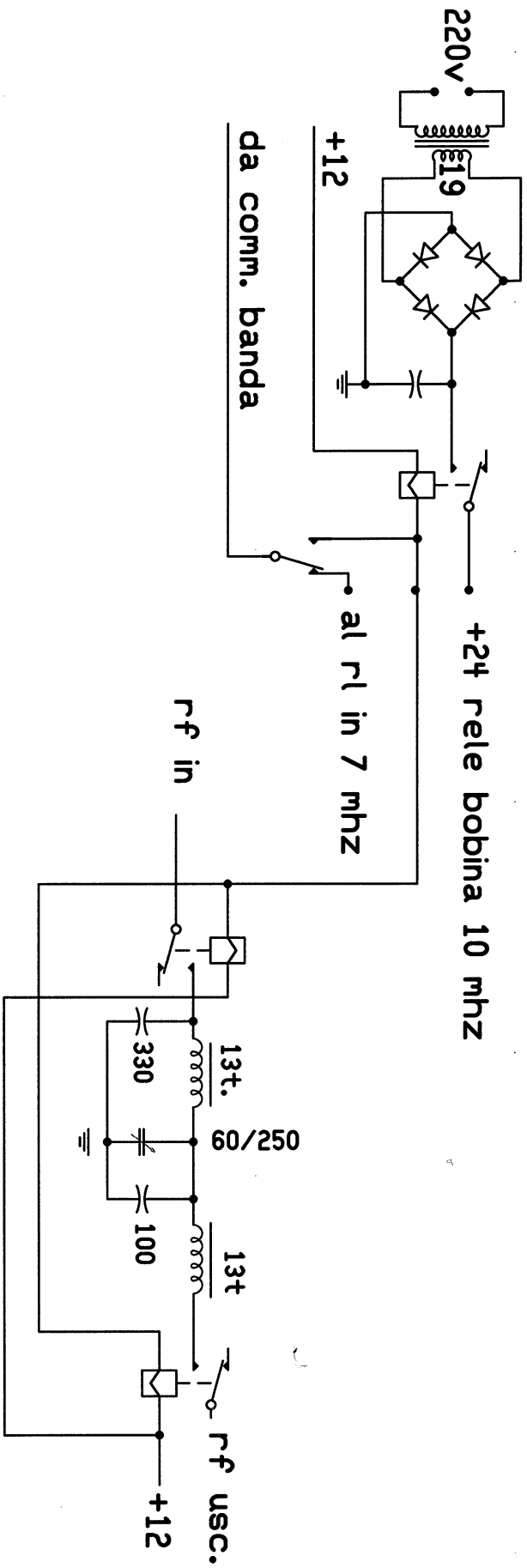
TO TUNED INPUT

30 METRI



© 1988 COMAND TECHNOLOGIES INC.

TUNED INPUT CIRCUIT WITH A.L.C.



circuito alimentazione