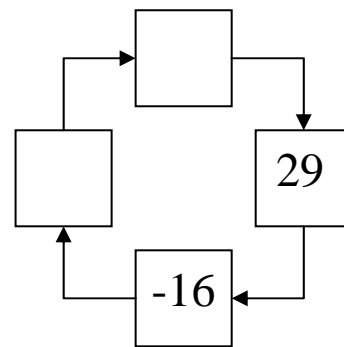
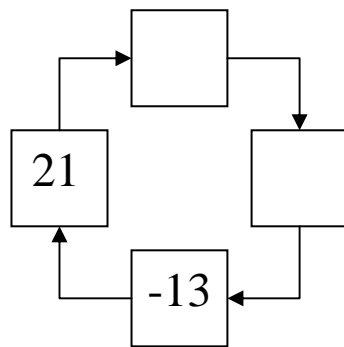
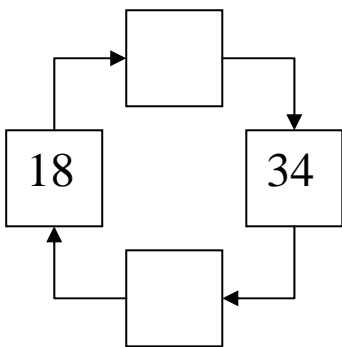
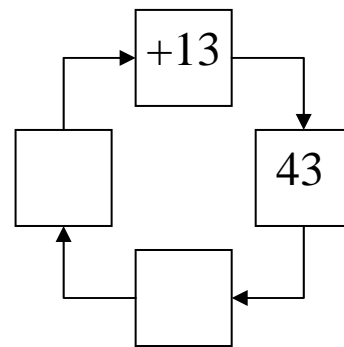
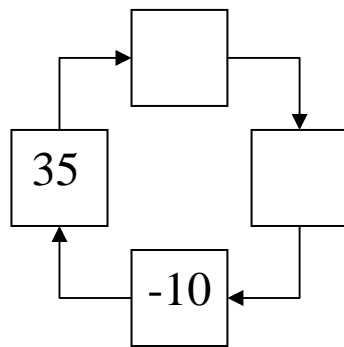
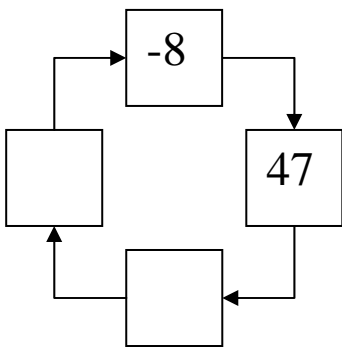
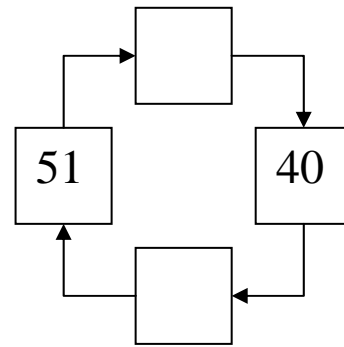
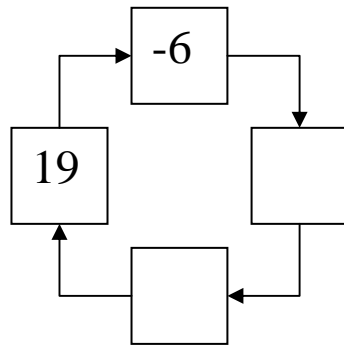
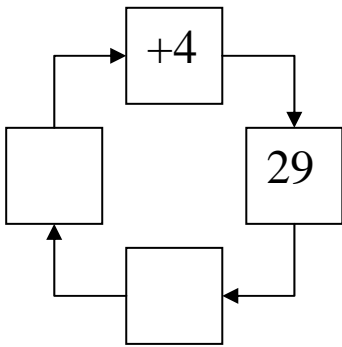
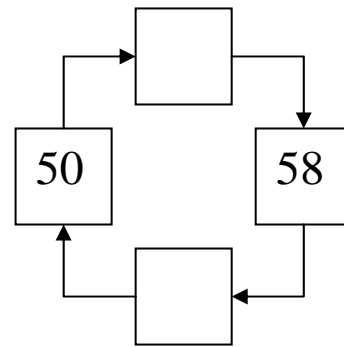
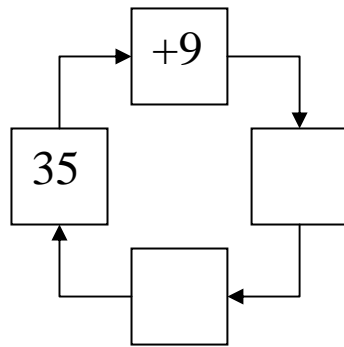
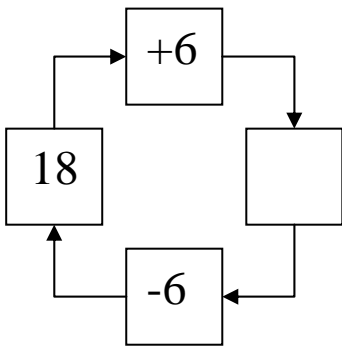


Completa gli schemi



Completa

$10 + \dots = 20$

$\dots + 15 = 45$

$13 + \dots = 32$

$15 + \dots = 23$

$\dots + 23 = 54$

$\dots + 13 = 26$

$16 + \dots = 30$

$\dots + 30 = 60$

$9 + \dots = 40$

$18 + \dots = 40$

$\dots + 34 = 54$

$\dots + 25 = 47$

$20 + \dots = 60$

$\dots + 40 = 40$

$42 + \dots = 60$

$35 + \dots = 49$

$\dots + 12 = 56$

$\dots + 11 = 43$

$24 + \dots = 50$

$\dots + 56 = 60$

$32 + \dots = 39$

$50 - \dots = 30$

$\dots - 13 = 20$

$20 - \dots = 3$

$43 - \dots = 25$

$\dots - 10 = 40$

$\dots - 13 = 9$

$39 - \dots = 18$

$\dots - 24 = 6$

$15 - \dots = 4$

$54 - \dots = 14$

$\dots - 30 = 16$

$\dots - 16 = 10$

$60 - \dots = 45$

$\dots - 24 = 18$

$59 - \dots = 26$

$55 - \dots = 50$

$\dots - 11 = 42$

$\dots - 42 = 5$

$47 - \dots = 20$

$\dots - 17 = 35$

$50 - \dots = 10$

$28 - \dots = 12$

$\dots - 29 = 17$

$\dots - 9 = 9$