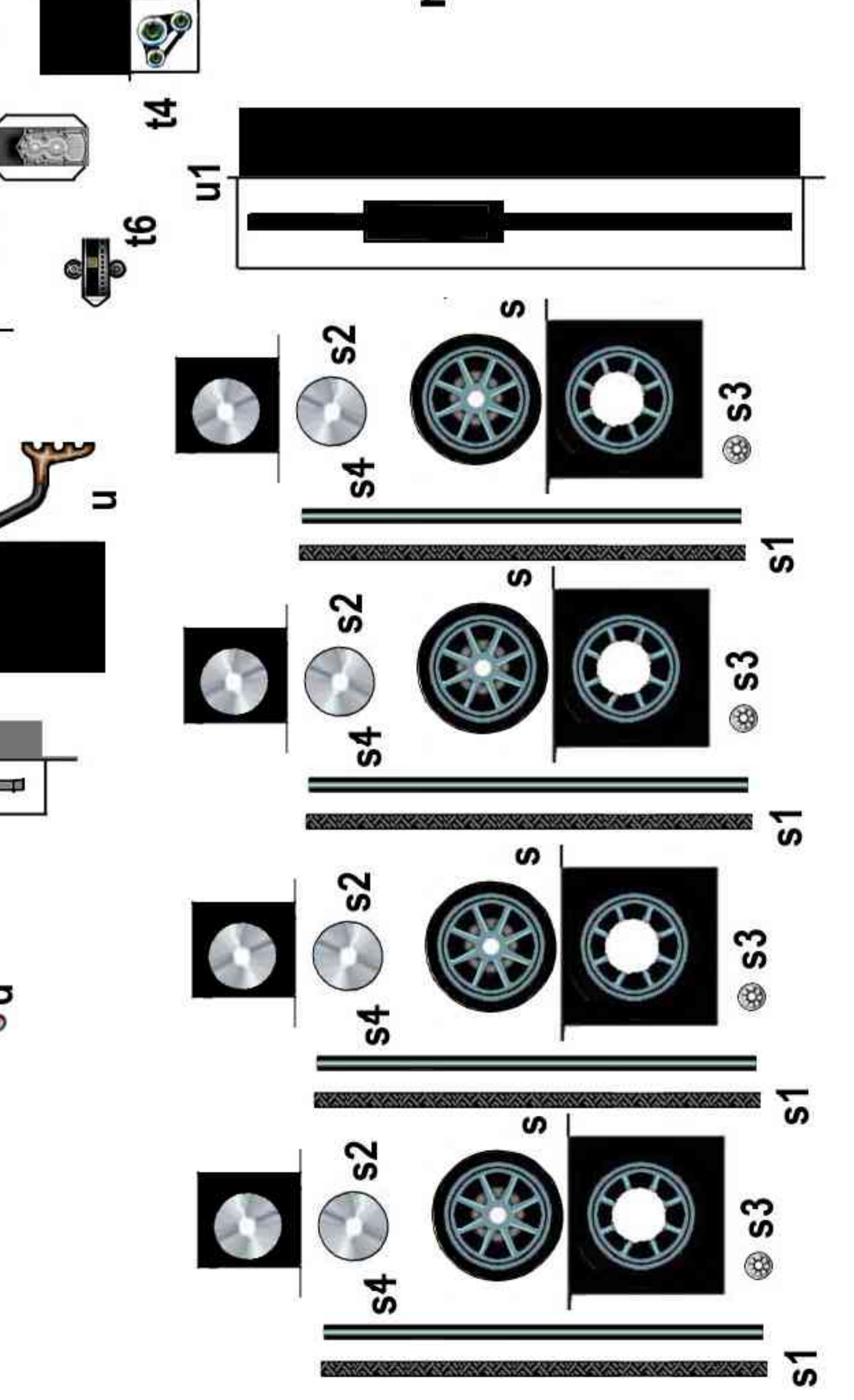
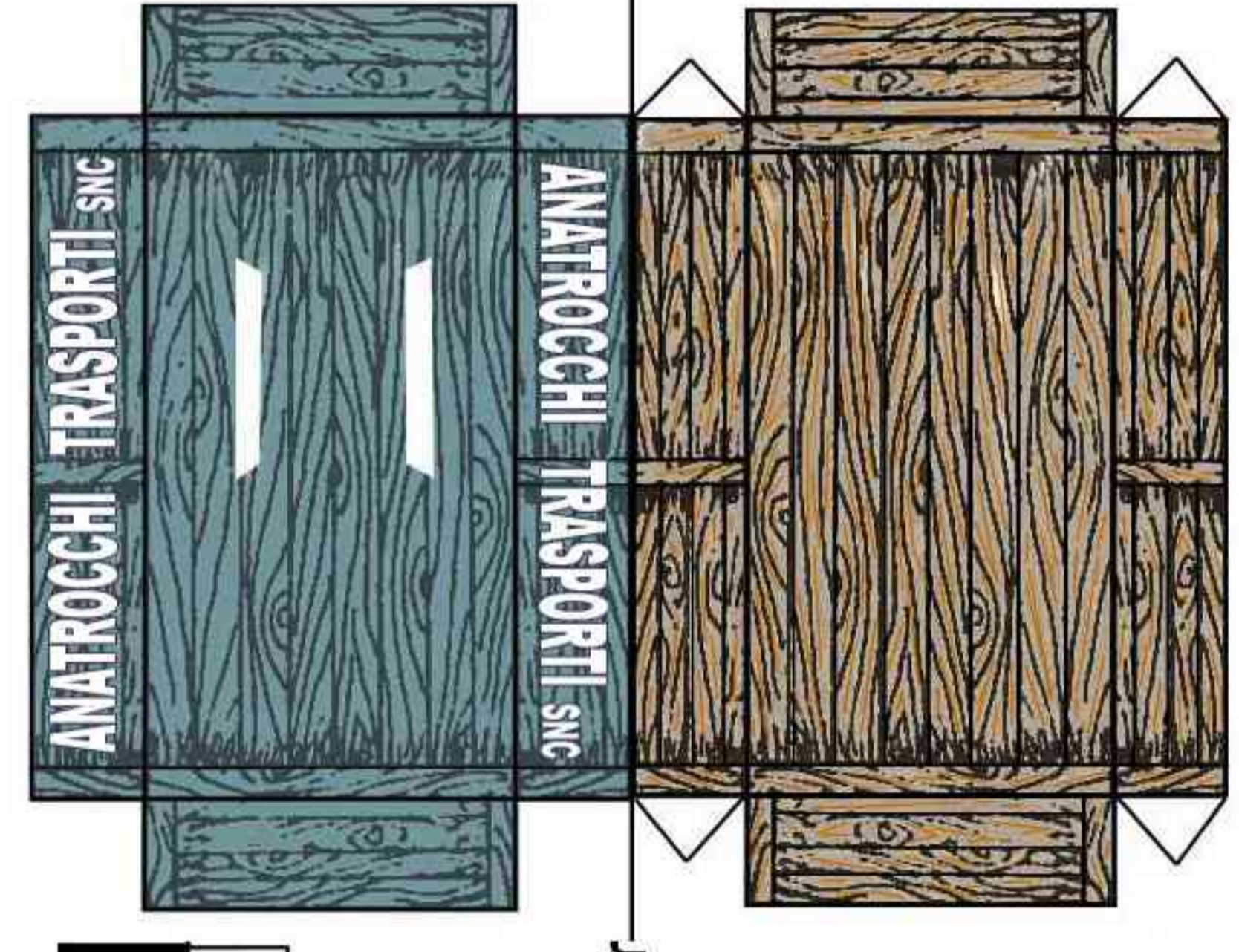
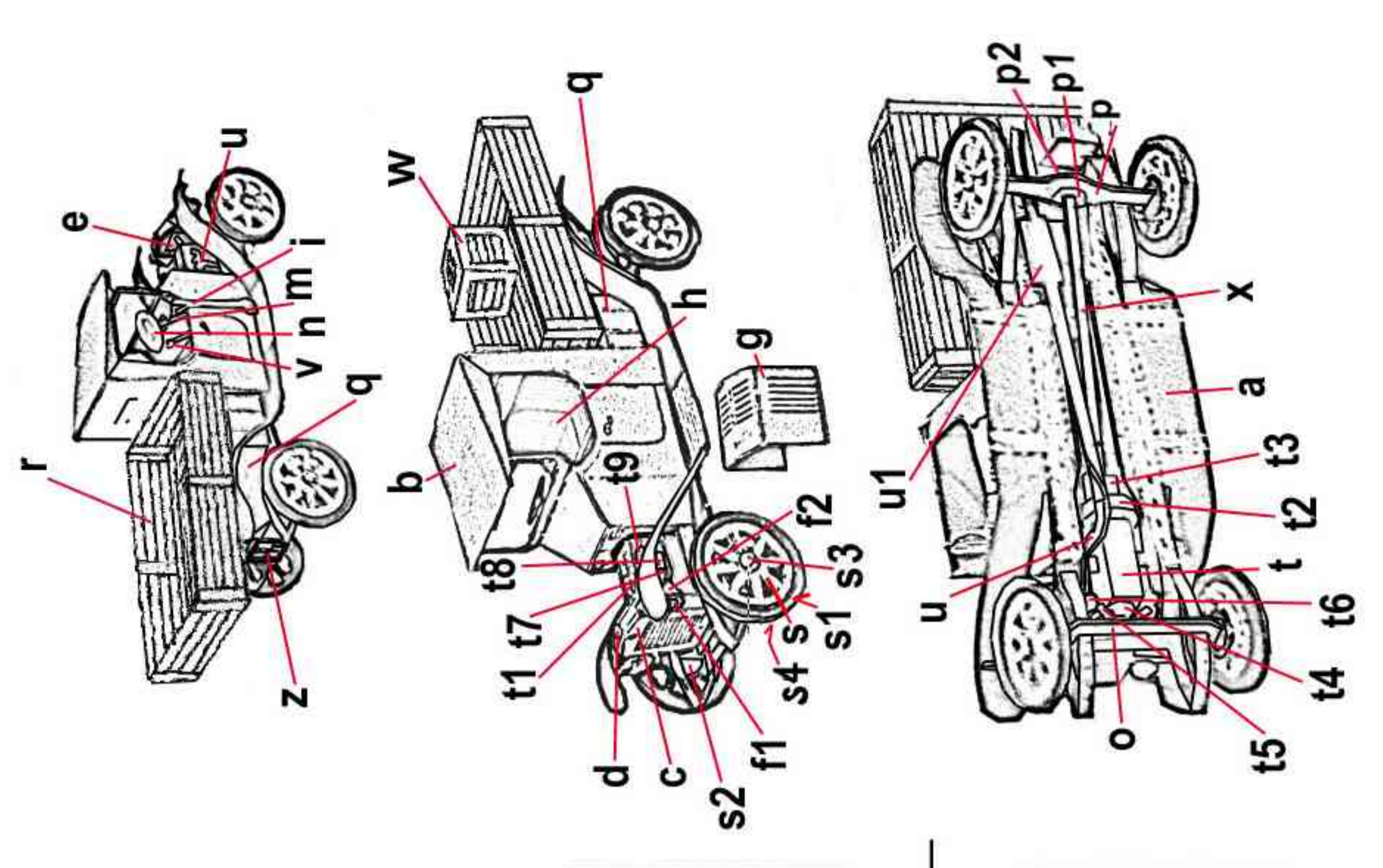
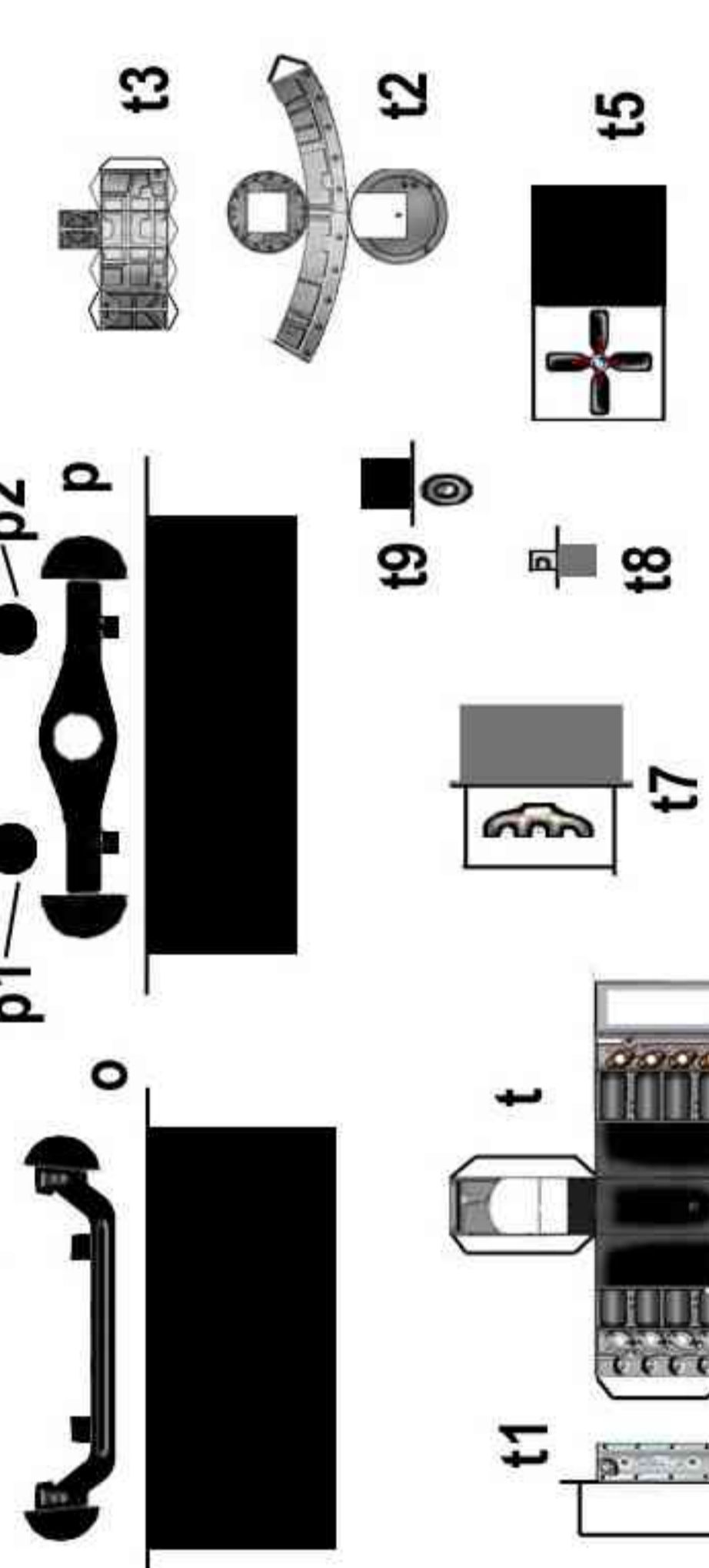


© 2002 by F. Prudenziati



GE-1
235