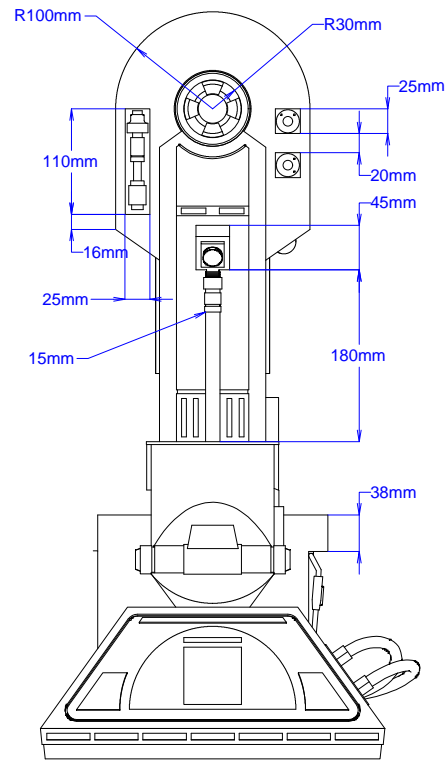
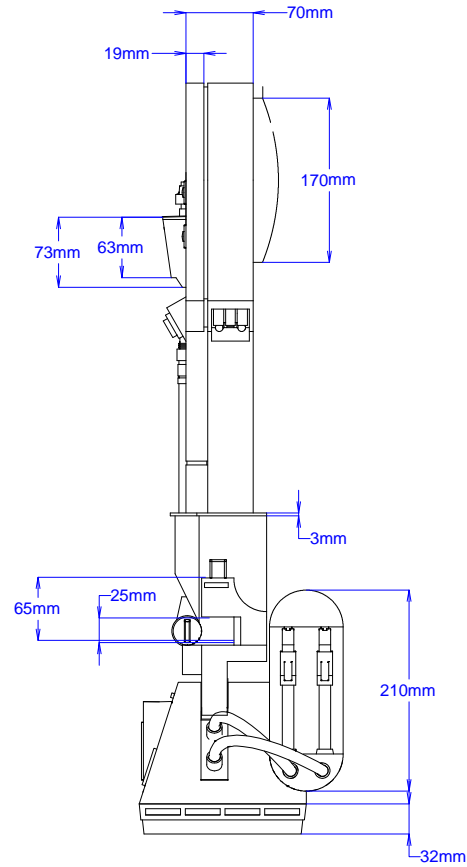


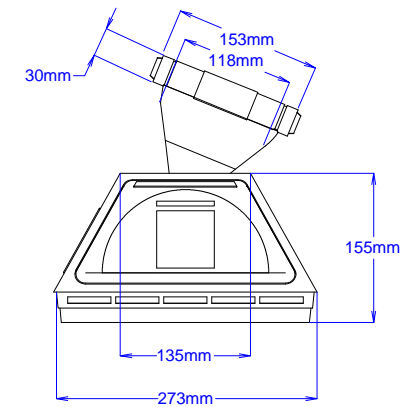
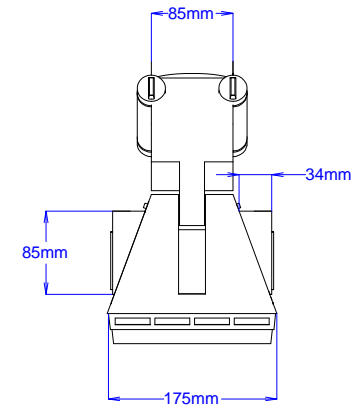
RIGHT LEG



RIGHT LEG



RIGHT LEG



MIDDLE LEG