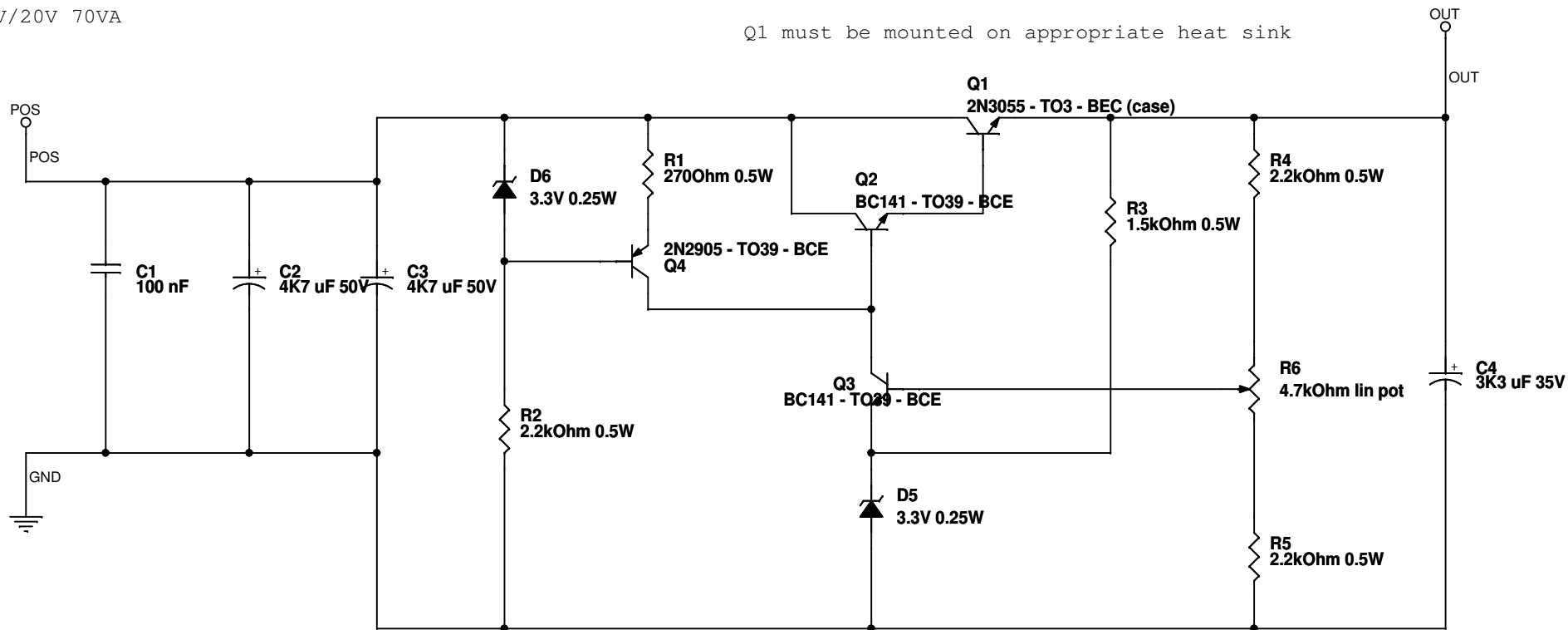


input: 220V/20V 70VA

Q1 must be mounted on appropriate heat sink



Title		
Full BJT Power Supply		
Size	Document Number	Rev
A4	power02	0.0
Date:	Tuesday, March 24, 2009	Sheet 1 of 1