

Rotate knurled screw 8 (fig. 7) clockwise or counterclockwise until tonearm is exactly balanced. When performing this operation, make sure that lift is in lower position and the relevant orange LED is extinguished.

Lock screw 4 (fig. 7) as shown at fig. 8.

FIG. 6

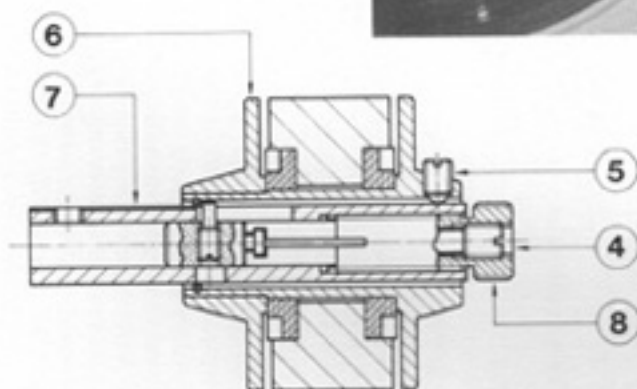
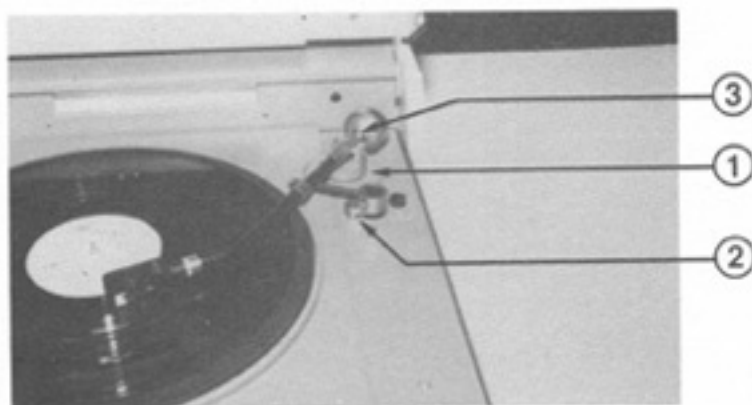


FIG. 7

FIG. 8



Rotate counterweight 6 (fig. 7) counterclockwise until desired tracking force value lines up with reference mark. Scale shows values in grams.

Then lock gently screw 5 (fig. 7).

For cartridge replacement, adopt the same procedure as above in order to correctly adjust tracking force value.